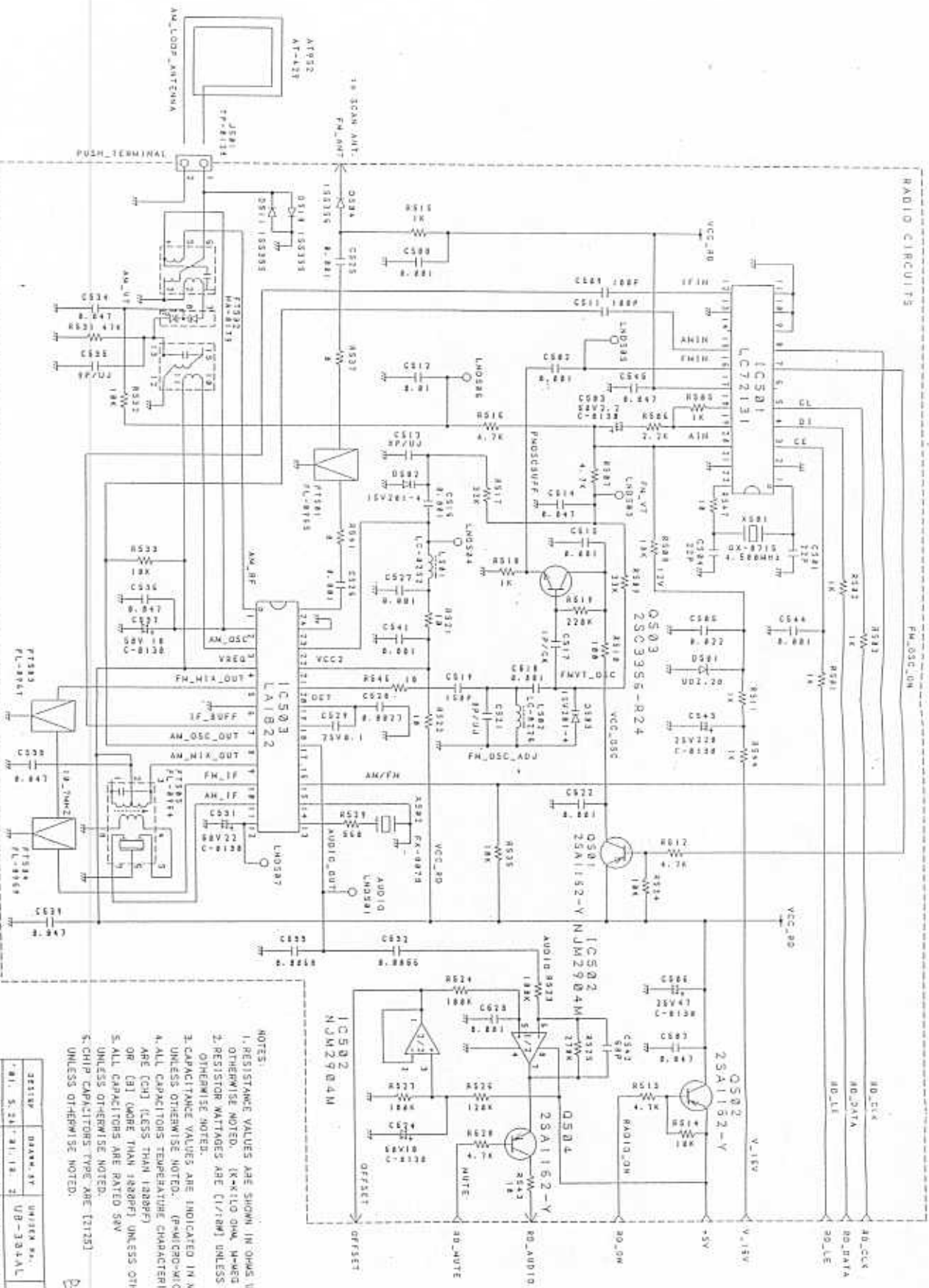


RADIO CIRCUITS



REV. CODE	DATE	REVISED BY	CHECKED BY

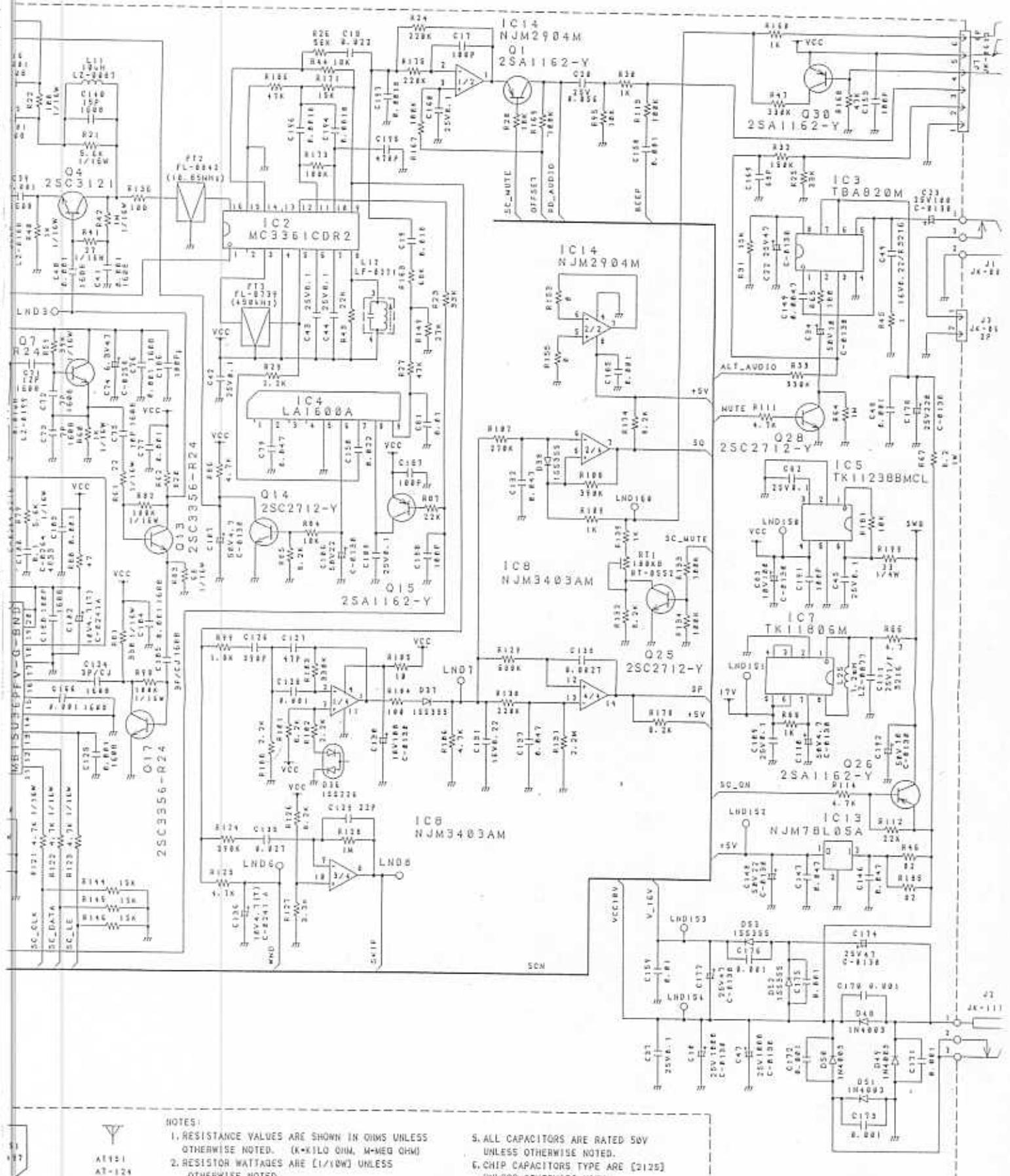
REV. NO.	DATE	BY	DESCRIPTION
01	5-21-81		
02			

DATE: 01/10/81
BY: *[Signature]*
E13-6774

NOTES:
1. RESISTANCE VALUES ARE SHOWN IN OHMS UNLESS OTHERWISE NOTED. (K=KILLO OHM, M=MEG OHM)
2. RESISTOR WATTAGES ARE (1/10W) UNLESS OTHERWISE NOTED.
3. CAPACITANCE VALUES ARE INDICATED IN MICRO FARADS UNLESS OTHERWISE NOTED. (P=PICTO-MICRO FARAD)
4. ALL CAPACITORS TEMPERATURE CHARACTERISTICS ARE (C) (LESS THAN 100PPM) UNLESS OTHERWISE NOTED OR (B) (MORE THAN 100PPM) UNLESS OTHERWISE NOTED.
5. ALL CAPACITORS ARE RATED 50V UNLESS OTHERWISE NOTED.
6. CHIP CAPACITORS TYPE ARE [1125] UNLESS OTHERWISE NOTED.

B/N 930278

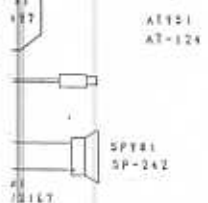
UNIDEN CORP.



- NOTES:
1. RESISTANCE VALUES ARE SHOWN IN OHMS UNLESS OTHERWISE NOTED. (K=KILO OHM, M=MEG OHM)
 2. RESISTOR WATTAGES ARE (1/10W) UNLESS OTHERWISE NOTED.
 3. CAPACITANCE VALUES ARE INDICATED IN MICRO PARADS UNLESS OTHERWISE NOTED. (P=MICRO-MICRO PARAD)
 4. ALL CAPACITORS TEMPERATURE CHARACTERISTICS ARE (C) (LESS THAN 100PPF) OR (D) (MORE THAN 100PPF) UNLESS OTHERWISE NOTED.
 5. ALL CAPACITORS ARE RATED 50V UNLESS OTHERWISE NOTED.
 6. CHIP CAPACITORS TYPE ARE (C125) UNLESS OTHERWISE NOTED.

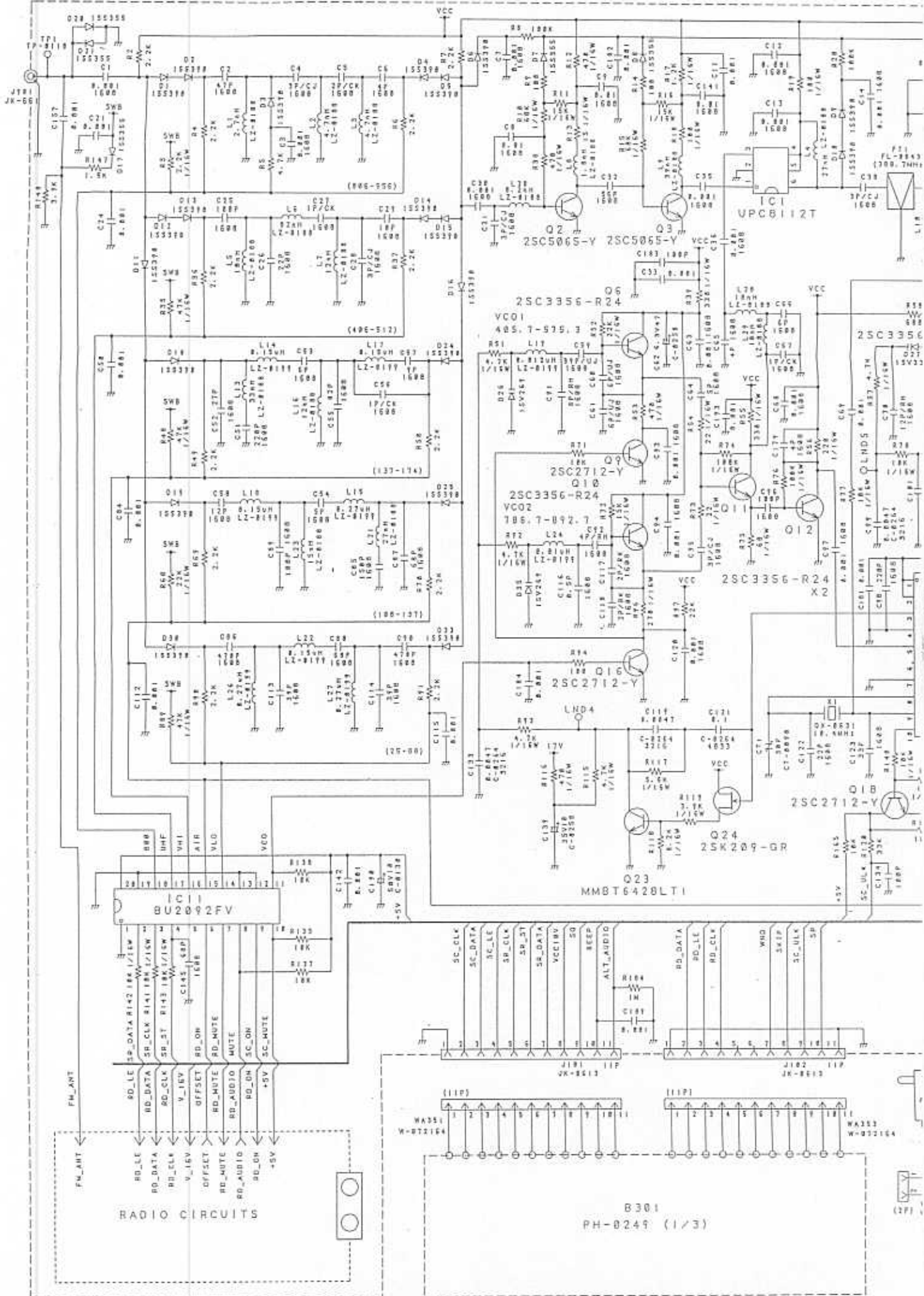
B/N 9307807
Main PCB

松本 隆夫
TAKEMOTO RYUO



REV. CODE	REV. CODE	REV. CODE	REV. CODE	REV. CODE	REV. CODE	REV. CODE	REV. CODE	REV. CODE	REV. CODE	REV. CODE

DESIGN	DRAWN BY	UNIDEN NO.	MODEL NO.
'81. 5. 24	'81. 10. 2	US-304AL	UBC278CLT
Y. HOSHI	Y. HOSHI	TITLE	MAIN ASS'Y
CHECK BY	APPRO. BY	SCHEMATIC DIAGRAM 1/2	
		DRAWING NO.	
		E12-6773	
REV. NO.		UNIDEN CORP.	



RADIO CIRCUITS

B/N 930278 (1) Main PCB 2019